



Supercharger Gear Dampener

PART# - RY17040-SGD-6S5

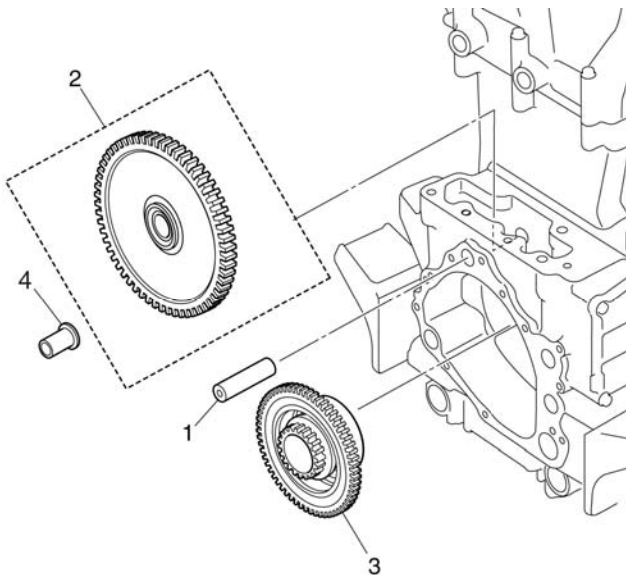
An OEM service manual is required for the installation of this part. These instructions are to serve as an additional guide as some of the original parts are used during the installation process. We suggest reading through the OEM service manual and these instructions entirely before performing installation. If you are not familiar or comfortable with performing this type of work please have an authorized Yamaha dealer or RIVA Racing Performance Products dealer perform the installation.

APPLICATION(S): Yamaha FX-SHO, FZR & FZS models

***** ALLOW ENGINE TO COOL COMPLETELY BEFORE PERFORMING INSTALLATION *****

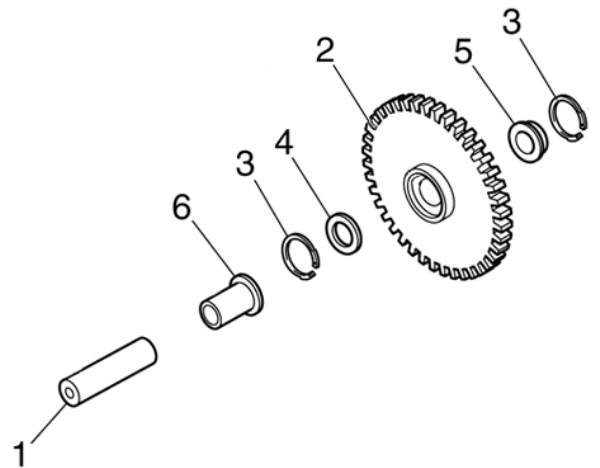
- INSTALLATION INSTRUCTIONS -

Following steps outlined in the 'Power Unit > Air Cooler, Supercharger and Throttle Body Assembly' section of your OEM Service Manual remove the stock 'Idle Gear Assembly' (item 2).



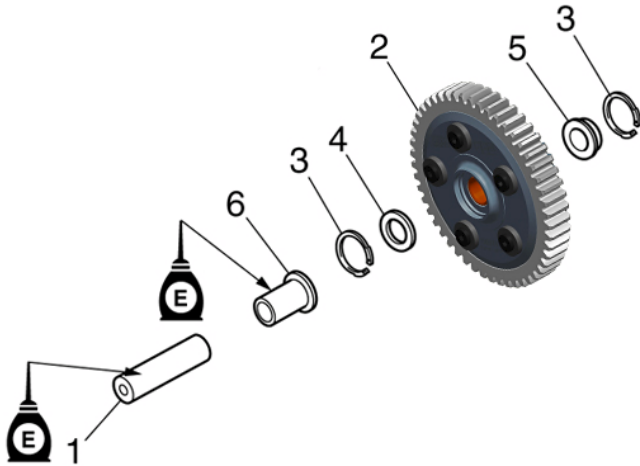
NOTE: Take care not to drop item 4 into crankcase.

Disassemble the stock Idle Gear Assembly. Retain **only** items 1, 3 (x2), 4, 5 & 6. Discard item 2.



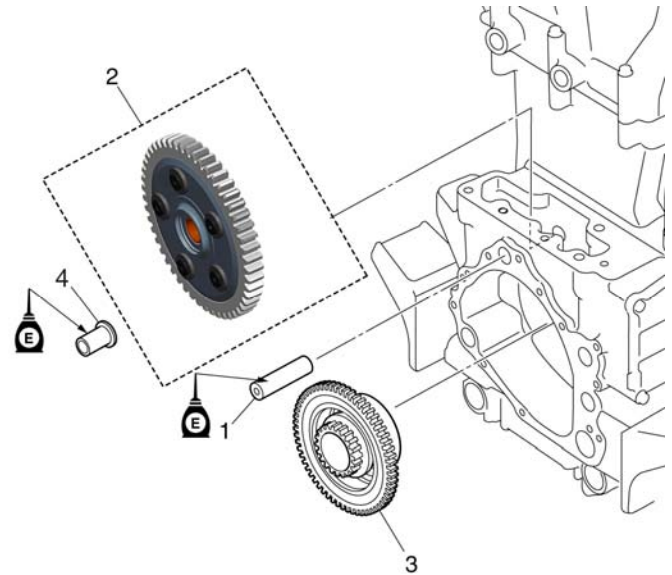
IMPORTANT: Note orientation of idler gear and it's components as you disassemble.

Inspect items 1, 3 (x2), 4, 5 & 6 for wear and damage. Install items 3 (x2), 4 & 5 into supplied Supercharger Gear Dampener (item 2) in reverse order of disassembly.



IMPORTANT: Note orientation of Supercharger Gear Dampener and it's components as you assemble.

Install Supercharger Gear Dampener into crankcase. **IMPORTANT: Pre-lubricate items 1 & 4 with engine oil.**



Following steps outlined in the 'Power Unit > Air Cooler, Supercharger and Throttle Body Assembly' section of your OEM Service Manual replace all parts removed to access stock Idle Gear Assembly.

Check bilge for tools, rags, etc. Run craft on a flush kit to check for proper operation.

IMPORTANT NOTE: RIVA Supercharger Gear Dampener is a *maintenance free* part. It is not designed to be disassembled to access internal dampeners. Doing so will damage the part requiring it be replaced completely.

***Remember, the water belongs to everyone.
Please ride responsibly and respect the environment!***

Technical Support

For answers to questions regarding installation or trouble shooting RIVA Performance Products contact:
RIVA Technical Support directly at (954) 247-0705 or by e-mail at tech_support@rivamotorsports.com.

Limited Warranty

RIVA Supercharger Gear Dampener's carry a 90-day limited warranty to the original purchaser. They are warranted to be free of defects in materials and workmanship under normal use and service. Customer modified components will be void of warranty. This warranty is limited to defects in the primary components only. Finish and/or wear marks in or on primary components are not covered under this warranty.

RIVA Racing's liability is expressly limited to the repair or replacement of the components contained within or associated with this kit. RIVA Racing agrees to repair or at RIVA's option, replace any defective unit without charge, if product is returned to RIVA Racing freight prepaid within the warranty period. Any equipment returned which, in RIVA's opinion, has been subjected to misuse, abuse, overheating or accident shall not be covered by this warranty.

RIVA Racing shall have no liability for special, incidental or consequential damages or injury to persons or property from any cause arising from the sale, installation or use of this product.

No other warranty, express or implied, including, but not limited to the implied warranties of merchantability and fitness for a particular purpose, applies. Various states do not allow for the limitation of incidental or consequential damages and therefore the above exclusion or limitation may not apply to you.

Warranty does not include the expenses related to freight or transportation of parts or compensation for any inconvenience or loss of use while being repaired. A copy of the original invoice and a Return Authorization Number (RA#) must accompany all warranty claims.

Warranted replacement parts will be returned freight collect.